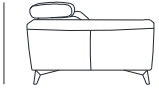
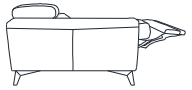
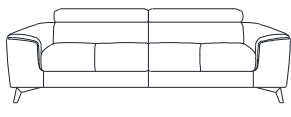




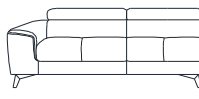
TECHNICAL DATA SHEET		MOD.	ORLANDO	
74/98			SEAT H.	46
	111	160	SEAT D.	56
			ARM H.	58
			ARM W.	26

cod. 300
3 SEATER



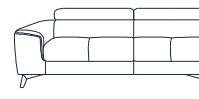
211

cod. 301-303
3STR RAF/LAF



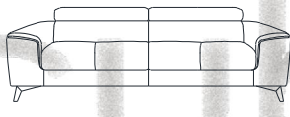
185

cod. 377-378
RELAX 3STR RAF/LAF



185

cod. 200
2 SEATER



191

cod. 201-203
2STR RAF/LAF



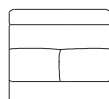
165

cod. 277-278
RELAX 2STR RAF/LAF



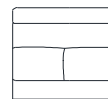
165

cod. 122
ARMLESS CHAIR FIT TO 2 STR



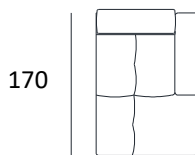
65

cod. 127
ARMLESS CHAIR FIT TO 3 STR



75

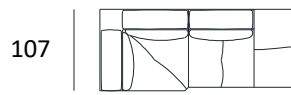
cod. 501-502
C.L. FIT TO 3STR



170

102

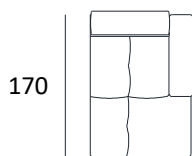
cod. 506-507
MERIDIAN FIT TO 3STR



107

233

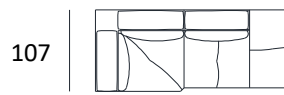
cod. 504-505
C.L. FIT TO 2STR



170

92

cod. 528-529
MERIDIAN FIT TO 2STR



107

223

AVAILABLE COVER

AS PER CUBOROSSO SWATCHES

STRUCTURE

WOODEN STRUCTURE IN MULTI-LAYER FIR, FIBERBOARD AND CHIPBOARD

INSIDE		
--------	--	--

SEAT	BACK	ARM
POLYURETHANE	POLYURETHANE	POLYURETHANE
DENSITY 35 x KG.		

BELTS SYSTEM		
--------------	--	--

SEAT	ELASTIC BELTS	
BACK	MASONITE	

FEET	METAL - H. 13,5CM
------	-------------------

FEATURES

OPTIONALS

NOTES
